

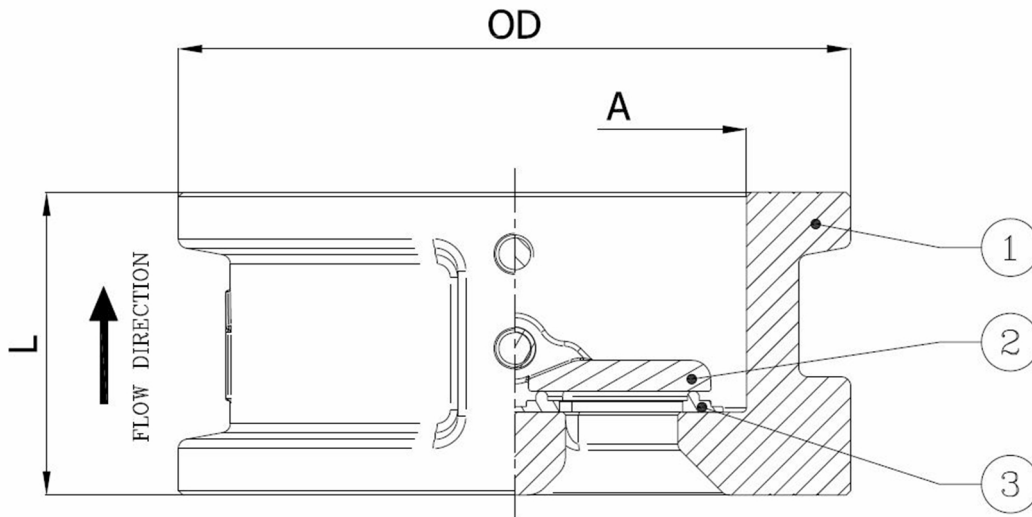
BV40-2413B-PN10

Terugslagklep type duocheck, te monteren tussen flenzen PN10

Norm Bouwlenge: EN 558-1 reeks 16



Artikelnummer	Belven Ref.
402042B0300	BV40-2413B-PN10-DN300
402042B0350	BV40-2413B-PN10-DN350
402042B0400	BV40-2413B-PN10-DN400
402042B0450	BV40-2413B-PN10-DN450
402042B0500	BV40-2413B-PN10-DN500
402042B0600	BV40-2413B-PN10-DN600



DN/Inch	L	OD	A	Drukkl.	Gewicht(kg)
DN300 (12")	114	378	325,5	PN10	33,50
DN350 (14")	127	438	360	PN10	55,00
DN400 (16")	140	489	410	PN10	75,00
DN450 (18")	152	539	467	PN10	101,00
DN500 (20")	152	594	515	PN10	111,00
DN600 (24")	178	695	624	PN10	172,00

Item 1	Item 2	Item 3
Materiaal Huis	Materiaal Klepblad	Materiaal Zitting
Nodulair gietijzer : GGG40 + Epoxy coating	Alubrons C954	NBR